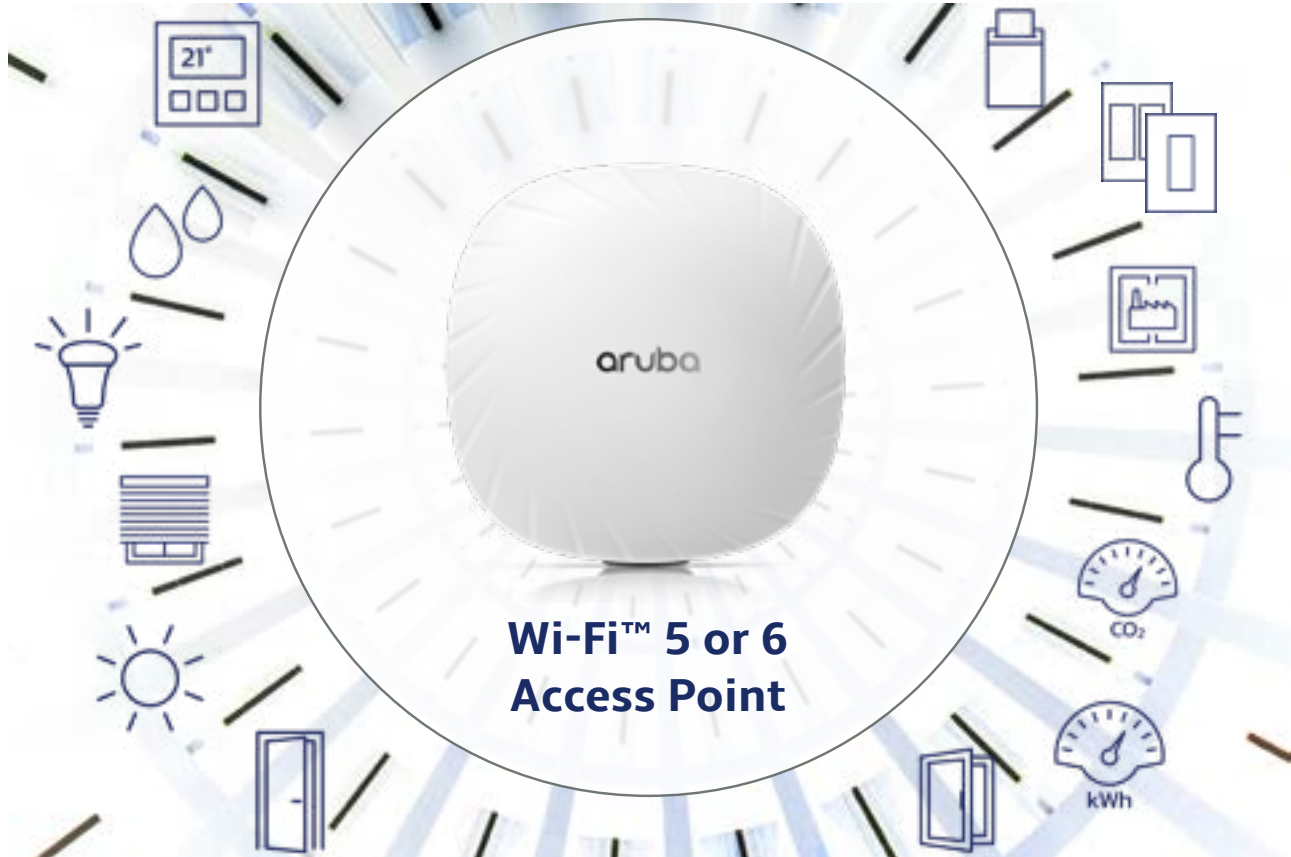


Feeding Wi-Fi™ Access Points the Sensor Data They Crave



Self-Powered Eco-System of Sensors, Switches & Controllers

Wi-Fi logo and Wi-Fi name are trademarks of the Wi-Fi Alliance

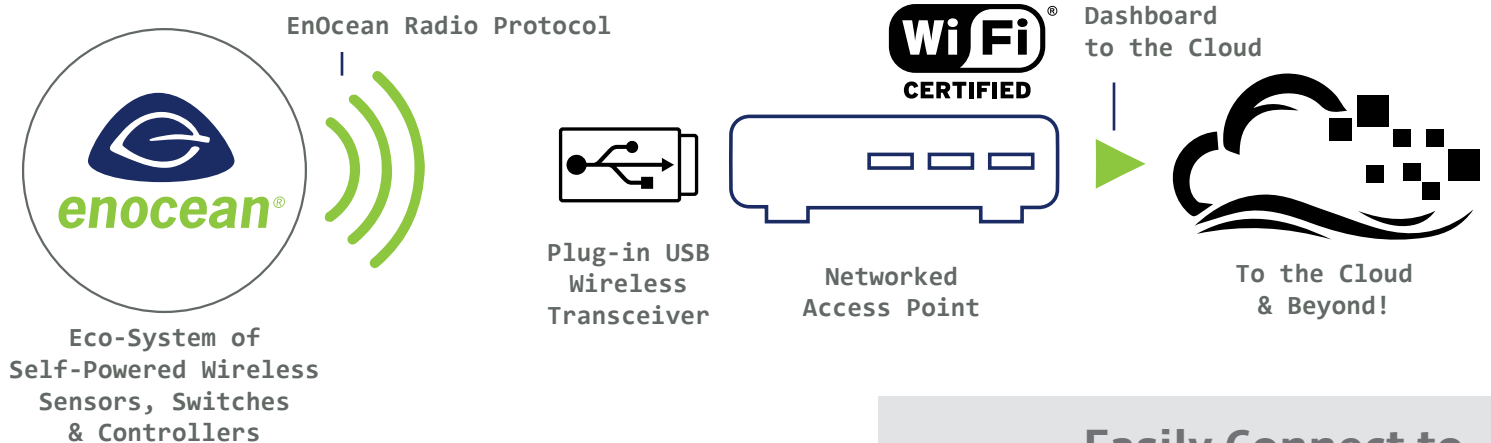


EnOcean Alliance
Wireless Solutions



aruba
a Hewlett Packard
Enterprise company

Wireless Data Flow in Smart Spaces



EnOcean Alliance members make it easy to connect sensor data with "Smart Spaces" and IoT applications. 1000s of proven sensor solutions are available today.

Easily Connect to
Existing Access Points
& Networks

Enables creation of software services & applications

Connect with Alliance Member Solutions

When you see the EnOcean logo affixed to a device; it means the device was built by an EnOcean Alliance member upon the EnOcean radio standard (ISO/IEC 14543-3-10/11).



This is the mark of a solution that provides building & space managers energy harvesting & wireless controls that cut costs & save time.

PLUS ... the controls increase comfort and security; while reducing energy usage and CO2 output.

To learn more about the eco-system of EnOcean Alliance member solutions:

enocean-alliance.org/aruba
aruba@enocean-alliance.org