

## BL-201-31-868 OUTDOOR FLEX 3x ADR EnOcean-DALI-Controller



Light controller, free configurable with PC-Software BL-PC-FLEX

Part nr.: 11871

Interfaces: 1x DALI Master, 1x EnOcean Master bi-directional, supply voltage: 230V AC



The EnOcean-DALI-Controller **BL-201-31-868 OUTDOOR FLEX** provides one DALI Master and an integrated DALI power supply to connect up to 3 DALI Slaves / ballasts. No external DALI power supply is needed.

The controller supports **3** DALI ballasts with DALI short address 0,1,and 2. In contrast, # 11656 **BL-201-31-868 OUTDOOR FLEX** supports 17 DALI ballasts, or even 64 with external DALI power supply.

In addition, an EnOcean wireless transceiver is integrated. These interfaces allow to setup an easy combination of DALI ballasts like LED drivers, and wireless EnOcean technology, like light switches, ambient light sensors or motion detectors.

The controller has to be supplied by 230V AC.

To configure the functionality of the controller, the PC configuration tool BL-PC-FLEX has to be used (this is not included and has to be ordered separately, # 11228, BL-PC-FLEX setup kit).

## Technical data

### Interfaces

Type	DALI Master
Number	1
Output current	Max. 6 mA
Output voltage	Typ. 16V DC (+/- 5%)
Galvanic isol.	yes

Type	EnOcean Master
Number	1
Transmit / Receive frequency	868.0 MHz / ASK
Occupied frequency band	868.0 – 868.6 MHz
Maximum transmission power	Typ. 3 dBm @ 868.300 MHz
EN 300200 receiver category	2

### User interfaces

Service button	No
Service LED	No

### Housing / connectors

Connection technology	Cables, 0,75m ; DALI: grey, 2x1,0mm, ÖLFLEX CLASSIC 400 P, PUR, Power supply: orange, 2x1,0mm ÖLFLEX 550P, PUR
Housing	UL-V0, light grey, for in- and outdoor applications

### Power supply

Supply voltage	230V AC
Power consumption	Typ. 1.6W, max 2.5W

### Environmental conditions

Operating temperature	-20°..+60°C
Storage temperature	-20°..+60°C
Humidity	10..95% rel. Humidity, non condensing
Protection class	IP65

### Dimensions and weight

Weight	240g
Dimensions	98 x 86 x 37 mm

### Standards / approvals

CE	2014/53/EU RED directive 2011/65/EU RoHS directive
Approvals / tests	DIN EN 60950-1:2011 + A12 Cor. 1:2012 + Cor. 1:2012 EN 61000-6-2:2005 EN 61000-6-3:2007 + A1:2011 + Cor 1:2012 EN 301 489-1:2011 V1.9.2 EN 301 489-3:2013 V1.6.1 EN 300 220-2:2012 V2.4.1

---

## Short description

---

### Supply voltage

The BL-201-31-868 OUTDOOR FLEX 3x ADR has to be supplied by 230 V line voltage.

### DALI Master

The BL-201-31-868 OUTDOOR FLEX 3x ADR provides a DALI master according to the DALI specification. In addition, a DALI power supply is integrated. Up to 3 DALI ballasts ( $I_{max} = 6 \text{ mA}$ ) can be connected to the controller without an additional DALI power supply.

### EnOcean Master / bi-directional

The integrated EnOcean transceiver of type TCM310 is used to communicate with EnOcean sensors and switches, and also with the configuration software BL-PC-FLEX, using the EnOcean USB-Stick.

### Service button / Service LED

The BL-201-31-868 OUTDOOR FLEX 3x ADR has no external user interfaces.

---

## Controller functions

---

The BL-201-31-868 OUTDOOR FLEX 3x ADR has to be configured with the PC configuration tool BL-PC-FLEX.

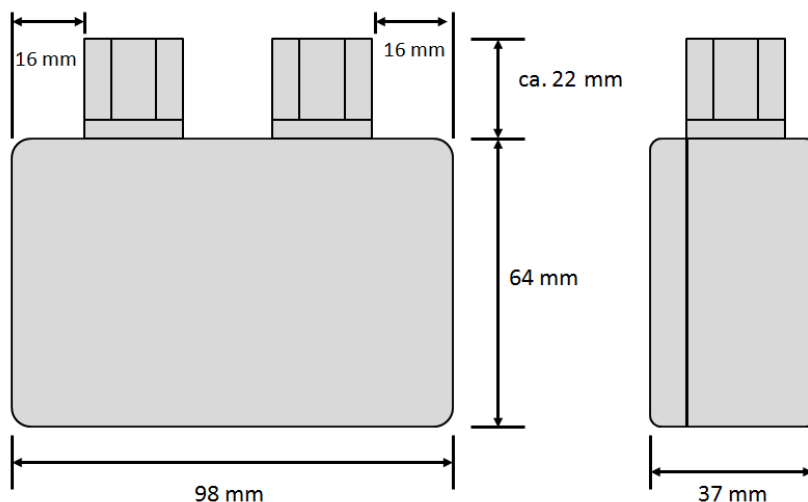
Many functions are available, for example DALI address assignment, DALI group assignment and DALI scene setup. You can configure light switches, ambient light sensors and motion detectors to control the connected DALI ballasts. For a detailed description of the FLEX functionality, please read the manual of the BL-PC-FLEX software.

You will find the documentation on our homepage [www.deuta-controls.net](http://www.deuta-controls.net). Once you have installed the software, you will find the manuals in the tool bar under „Show Help“.

---

## Dimensions: 98 x 86 x 37 mm

---



---

**Ordering information**

Article text	Part number	Description
BL-201-31-868 OUTDOOR FLEX 3x ADR	11871	EnOcean-DALI-Controller series BL-201; Function: Free configurable with BL-PC-FLEX software; <b>Limited to 3 DALI ballasts, DALI short addresses 0,1,2;</b> Ambient temp.: extended range, -20°C+60°C; 230V AC, 868 MHz, IP65-housing, UL-V0, light grey; Dimensions: 98x64x34 mm, excl. fittings, Input lead (supply, L+N): orange, approx. 0,75m, 2x1,0 mm <sup>2</sup> , ÖLFLEX CLASSIC 400 P,PUR; Output lead (DALI): grey, approx. 0,75m, 2x1,0 mm <sup>2</sup> ÖLFLEX 550 P, PUR

---

**EU Declaration of Conformity**

Hereby the DEUTA Controls GmbH declares that the radio equipment type **BL-201-31-868 OUTDOOR UP FLEX 3x ADR** is compliant with the directive 2014/53/EU. You can download the complete EU Declaration of Conformity as a pdf-document on our homepage [www.deuta-controls.de](http://www.deuta-controls.de) in the area Service/Downloads (Doc. EUDC2017\_125).

Version 12, 28.06.2017