

BL-201-17-868 AP FLEX DALI-PS EnOcean-DALI-Controller



Light controller, free configurable with PC-Software BL-PC-FLEX

Part nr.: 11303

Interfaces: 1x DALI Master, 1x EnOcean Master bidirectional, supply voltage: 230 V AC



DALI

The EnOcean-DALI-Controller **BL-201-17-868 AP FLEX DALI-PS** provides one DALI Master and an integrated DALI power supply to connect **up to 64** DALI Slaves / ballasts (Iout max.= 200 mA).

In addition, an EnOcean wireless transceiver is integrated. These interfaces allow to setup an easy combination of DALI ballasts like LED drivers, and wireless EnOcean technology, like light switches, ambient light sensors or motion detectors.

The controller has to be supplied by 230V AC.

To configure the functionality of the controller, the PC configuration tool BL-PC-FLEX has to be used (this is not included and has to be ordered separately, # 11228, BL-PC-FLEX setup kit).

Technical data

Interfaces

Type	DALI Master
Number	1
Output current	Max. 200 mA (64 Slaves)
Output voltage	Typ. 16V DC (+/- 5%)
Galvanic isol.	yes

Type	EnOcean Master
Number	1
Transmit / Receive frequency	868.0 MHz / ASK
Occupied frequency band	868.0 – 868.6 MHz
Maximum transmission power	Typ. 3 dBm @ 868.300 MHz
EN 300200 receiver category	2

User interfaces

Service button	-
Service LED	-

Housing / connectors

Connection technology	input: WIELAND standard connector, 5- pole, 230V AC + DALI; output: WIELAND standard connector, 5- pole, 230V AC + DALI;
Housing	UL-V0, light grey

Power supply

Supply voltage	230V AC
Power consumption	Typ. 7W, max 10W

Environmental conditions

Operating temperature	+5°..+50°C
Storage temperature	-20°..+70°C
Humidity	10..95% rel. Humidity, non condensing
Protection class	IP20

Dimensions and weight

Weight	550g
Dimensions	150 x116 x 83 mm

Standards / approvals

CE	2014/53/EU RED directive 2011/65/EU RoHS directive
Approvals / tests	DIN EN 60950-1:2011 + A12 Cor. 1:2012 + Cor. 1:2012 EN 61000-6-2:2005 EN 61000-6-3:2007 + A1:2011 + Cor 1:2012 EN 301 489-1:2011 V1.9.2 EN 301 489-3:2013 V1.6.1 EN 300 220-2:2012 V2.4.1

Short description

Supply voltage

The **BL-201-17-868 AP FLEX DALI-PS** has to be supplied by 230 V line voltage.

DALI Master

The **BL-201-17-868 AP FLEX DALI-PS** provides a DALI master according to the DALI specification. In addition, a DALI power supply is integrated. Up to 64 DALI ballasts ($I_{max} = 200 \text{ mA}$) can be connected to the controller.

EnOcean Master / bi-directional

The integrated EnOcean transceiver of type TCM310 is used to communicate with EnOcean sensors and switches, and also with the configuration software BL-PC-FLEX, using the EnOcean USB-Stick.

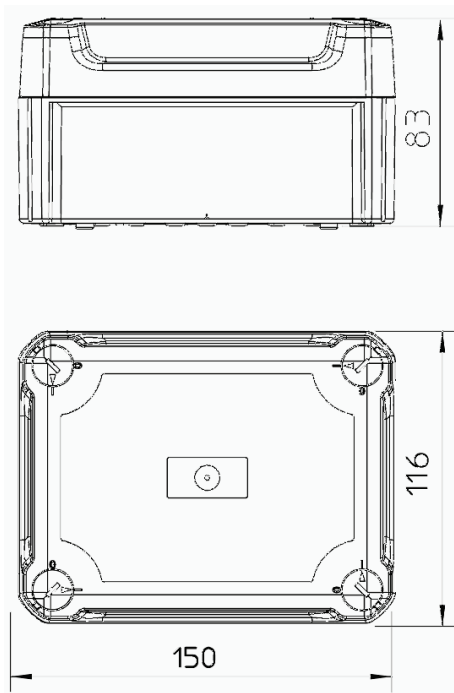
Controller functions

The **BL-201-17-868 AP FLEX DALI-PS** has to be configured with the PC configuration tool BL-PC-FLEX.

Many functions are available, for example DALI address assignment, DALI group assignment and DALI scene setup. You can configure light switches, ambient light sensors and motion detectors to control the connected DALI ballasts. For a detailed description of the FLEX functionality, please read the manual of the BL-PC-FLEX software.

You will find the documentation on our homepage www.deuta-controls.net. Once you have installed the software, you will find the manuals in the tool bar under „Show Help“.

Dimensions: 150 x 116 x 83 mm



Ordering information

Article text	Part number	Description
BL-201-17-868 AP FLEX DALI-PS	11303	EnOcean-DALI-Controller series BL-201 function: Free configurable with BL-PC-FLEX software 230 V AC, 868 MHz, housing for surface mounting, input: WIELAND standard connector, 5- pole, 230V AC + DALI; output: WIELAND standard connector, 5- pole, 230V AC + DALI; For up to 64 DALI ballasts (max 200mA), additional DALI Power supply included;

EU Declaration of Conformity

Hereby the DEUTA Controls GmbH declares that the radio equipment type **BL-201-17-868 AP FLEX DALI-PS** is compliant with the directive 2014/53/EU. You can download the complete EU Declaration of Conformity as a pdf-document on our homepage www.deuta-controls.de in the area Service/Downloads (Doc. EUDC2017_115).

Version 30, 29.06.2017
