

CARD SWITCH



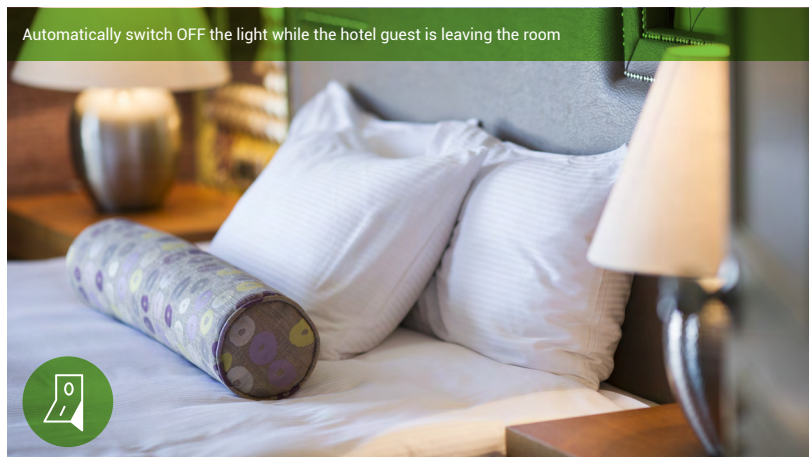
Launch the "Welcome" scenario as soon as my guest is entering the Hotel room



Know which room is occupied or not, and arrange cleaning and room management easily



Automatically switch OFF the heating system while the hotel guest is leaving the room



Automatically switch OFF the light while the hotel guest is leaving the room

TECHNICAL SPECIFICATIONS

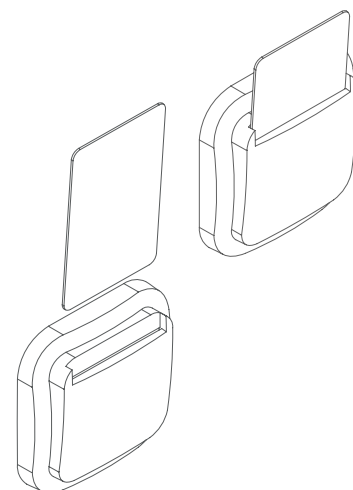
Power source: Magneto-resistive (no battery)
2 symmetrical actions based on the insertion and the removing of the card
Wall mounting:
 adhesive bounding (included)
 or screws (not included)
Operational temperature: 0°C to 40°C
Radio: EnOcean® Protocol
EEP: F6-04-01
Frequency: depending on region
Range: 30m indoor
Dimensions: 80*80*20mm

CERTIFICATIONS AND STANDARDS - EUROPE

EN 60950-1: 2006 +A11:2009 + A1:2010 +A12:2011 + A2:2013
EN301 489-1 V1.9.2
EN301 489-3 V1.6.1
EN300 220-2 V2.4.1
EN 62479:2010

CERTIFICATIONS AND STANDARDS - USA

FCC & IC Rules



PRODUCT REFERENCE

Frequency 868,3 MHz - CCS-2-1-01 - EAN: 3700313920329 – Cozy White

Frequency 908,42 MHz - CCS-2US-1-01 - EAN: 3700313920701 – Cozy White