

LevNet RF Wireless Self-Powered Solutions Low Voltage Receivers



2, 3, and 4-Channel Room Controller



2-Channel Shade Controller



4- and 8-Channel Relay Receiver

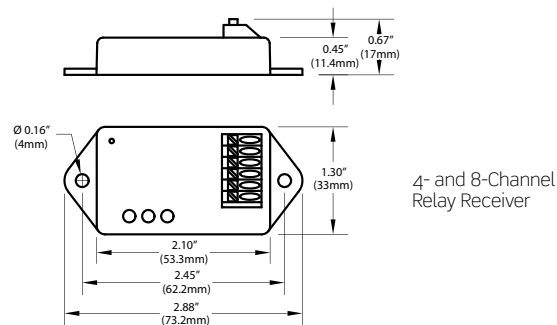
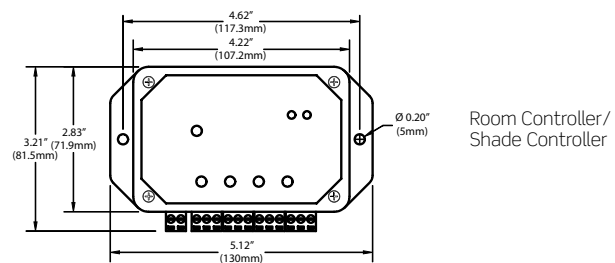
Wireless self-powered technology means no new wiring is required. Leviton LevNet RF Wireless Self-Powered Solutions are easy to install and maintenance-free, saving ongoing labor and material costs while saving energy.

EnOcean® technology allows energy harvesting LevNet RF Transmitters to operate indefinitely without the use of batteries. The motion of a switch actuation, light on a solar cell, or temperature differentials in the environment provide power to LevNet RF Transmitters, allowing zero-maintenance wireless devices. The LevNet RF line includes multiple products that operate in the uncrowded 315MHz band offering greater transmission range (50-150 feet) than other wireless technologies and minimal competitive traffic.

APPLICATIONS

- Retrofits
- Conference rooms
- Lounges/Lobbies
- Executive offices
- Daycare facilities
- New construction
- Classrooms
- Private offices
- Restrooms
- Multimedia areas

DIMENSIONS



LevNet RF Low Voltage Receivers receive signals from LevNet RF Sensors, Switches, and Transmitters to control lighting, thermostats, and other devices or loads. Wireless, self-powered technologies make them the ideal solution for retrofits and new construction; installation is quick and easy with no additional wiring required. It takes only minutes to install and configure.

Leviton Mfg. Co., Inc. Lighting Management Systems

20497 SW Teton Avenue, Tualatin, OR 97062 1-800-736-6682 Tech Line: 1-800-959-6004 Fax: 503-404-5594 www.leviton.com/lms
 © 2009 Leviton Manufacturing Co., Inc. All rights reserved. Subject to change without notice.

PRODUCT DATA

2, 3 AND 4-CHANNEL ROOM CONTROLLER (WS0RC-200 | WS0RC-300 | WS0RC-400)

The LevNet RF LVRX-Micro Low Voltage Room Controller was engineered to provide manual- ON/OFF and auto-OFF controls for lighting systems. The Room Controller is designed to save energy by automatically turning off lights when no one is in a room. The small receiver also features a switch that manually controls the lights. The LVRX-Micro 2, 3, and 4- Channel Room Controllers provide integrators an easy way to add LevNet RF controls to new or existing systems such as lighting control, security, and more. Room Controllers are excellent for bi-level and scene control applications and offers an easy way to make hard-wired multi-technology sensors wireless.



These small transceivers respond to LevNet RF Sensors, Switches, and other Transmitters. The Room Controllers may receive input from wired power packs and sensors to automatically turn off lights when no one is in a room. Additionally, the Room Controllers can extend the reach of wired sensors by wirelessly transmitting sensor status to other LevNet RF Receivers.

FEATURES

- **Reliable range:** integrated EnOcean radio receiver; error checking ensures Receiver only responds to appropriate Switches on all packet transfers; communicates with all LevNet RF Switches; one Transmitter can control unlimited Receivers within range
- **Easy-to-use:** (2), (3), or (4) low voltage output channels; easily add Switches for lighting or machine control; run zero switch-leg wires
- **Save energy:** create manual-ON/auto-OFF or master OFF controls to eliminate energy waste
- **Simple wireless control systems:** manual or automatic ON and OFF controls, architectural lighting, daylighting, load shedding, and more

2-CHANNEL SHADE CONTROLLER (WS0RC-S00)

The LevNet RF LVRX-Micro Shade Controller enables manual and automated control of window shades and blinds using LevNet RF Switches and Sensors. One Shade Controller can control two different shade motors. The LVRX-Micro Shade Controller allows integrators to easily add LevNet RF controls to motorized window shades, blinds, and coverings.



FEATURES

- **Reliable range:** integrated EnOcean radio receiver; error checking ensures Receiver only responds to appropriate Transmitters on all packet transfers
- **Easy-to-use:** (2) low voltage output channels; easily add wireless controls for window shades and blinds

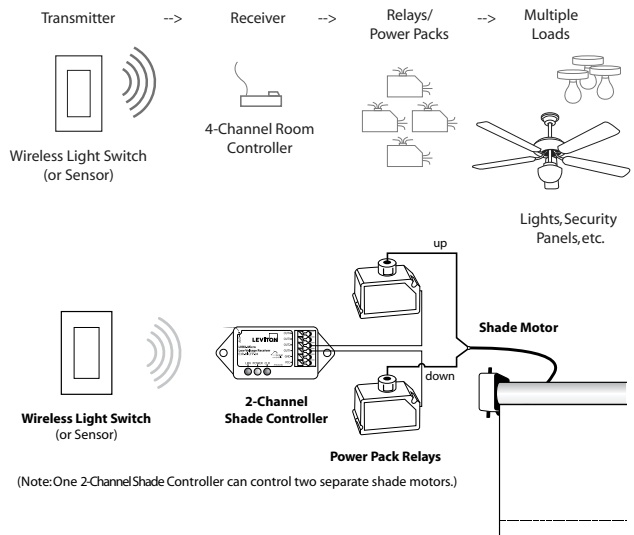
4- AND 8-CHANNEL RELAY RECEIVER (WSPAS-LV4 | WSPAS-LV8)

The Low Voltage Relay Receiver controls up to four (or eight) devices or groups of devices and connects LevNet RF Switches and Sensors to new or existing control systems. The Low Voltage Relay Receiver responds to up to 80 different Transmitters and provides four or eight output channels (dry contact or 8-30V for relay and contactor applications). The outputs can be programmed as either momentary or maintained contacts.

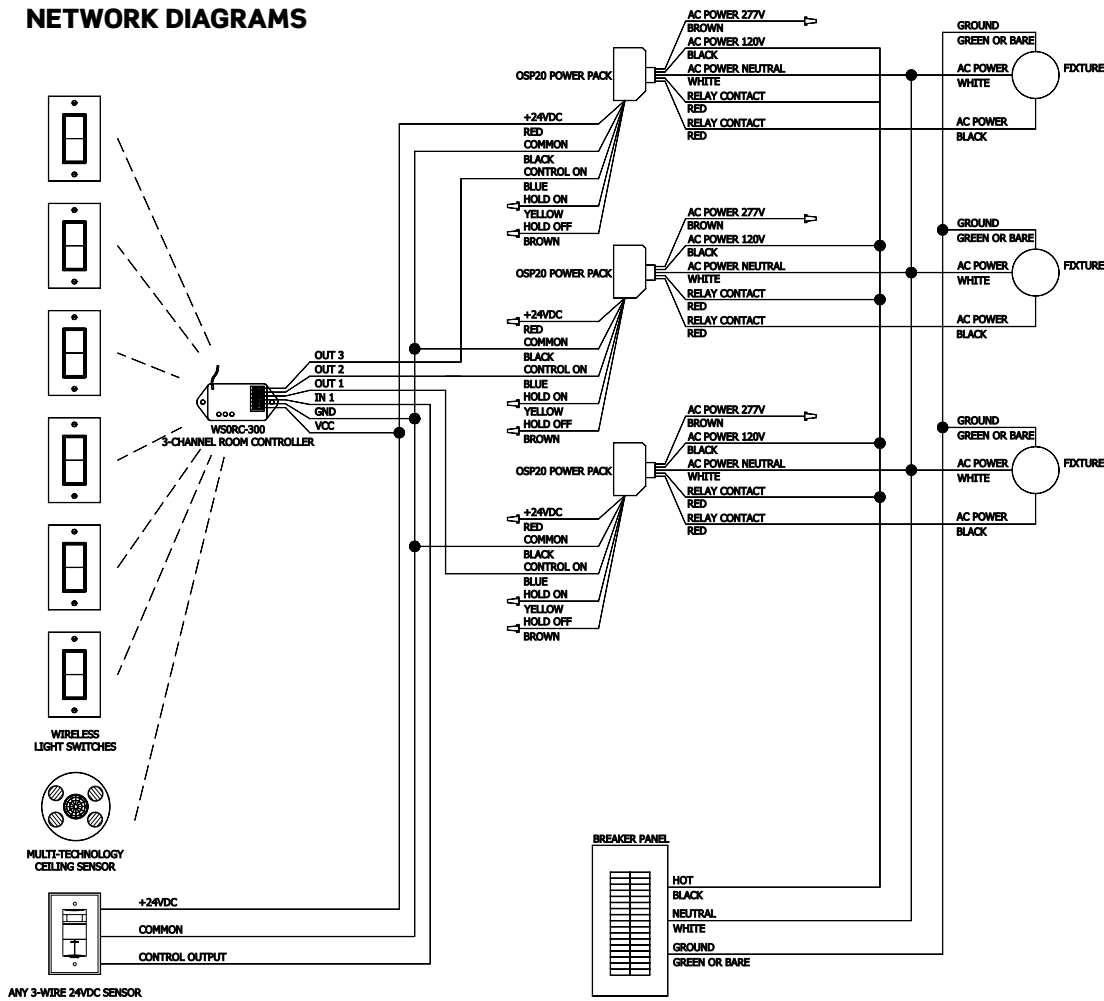


FEATURES

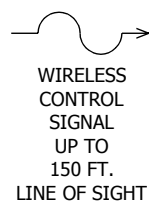
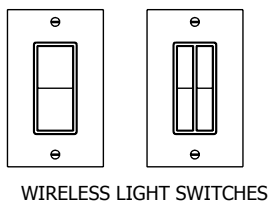
- **Easy-to-use:** run zero switch-leg or traveler wires
- **Reliable range:** error checking ensures Receiver only responds to appropriate Transmitters on all packet transfers
- **Save energy:** connect the Receiver to a LevNet RF Sensor or program all lights to respond to a single master switch
- **Simple wireless controls:** architectural lighting, load shedding, industrial equipment control, automation, utility lighting, and more
- **Control the way you want it:** control up to four or eight separate devices or groups of devices; responds to as much as 80 Transmitters; dry contact output channels for relay/contactor applications; outputs can be programmed as either momentary or maintained contacts



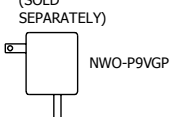
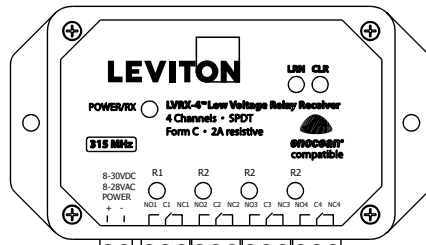
NETWORK DIAGRAMS



LevNet RF Low Voltage Receivers

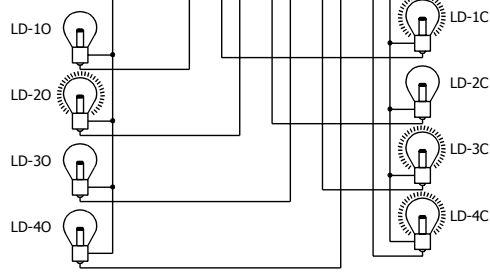


ANY 8-28VAC OR 8-30VDC POWER ADAPTER (SOLD SEPARATELY)



ANY LOW VOLTAGE LOAD (FLASHLIGHT BULBS SHOWN).

LOADS CONNECTED TO THE NORMALLY OPEN CONTACTS WILL BE TURNED OFF UNTIL A WIRELESS SWITCH ACTIVATES THEIR RESPECTIVE CHANNEL. HERE, LOAD LD-20 IS ON, BECAUSE CHANNEL 2 HAS BEEN ACTIVATED BY ONE OF THE WIRELESS SWITCHES.



LOADS CONNECTED TO THE NORMALLY CLOSED CONTACTS WILL BE TURNED ON UNTIL A WIRELESS SWITCH ACTIVATES THEIR RESPECTIVE CHANNEL. HERE, LOAD LD-2C IS OFF, BECAUSE CHANNEL 2 HAS BEEN ACTIVATED BY ONE OF THE WIRELESS SWITCHES.

FORM-C RELAYS:
THERE ARE FOUR RELAYS IN THE DEVICE. EACH RELAY HAS THREE TERMINALS AVAILABLE FOR EXTERNAL CONNECTIONS: COMMON, NORMALLY OPEN, AND NORMALLY CLOSED.

RELAY COMMON TERMINALS:
EACH OF THE FOUR RELAYS HAS A COMMON TERMINAL. THE COMMON TERMINALS ARE NOT CONNECTED TO EACH OTHER INSIDE THE DEVICE. IN THE EXAMPLE SHOWN, THE COMMON TERMINALS ARE EXTERNALLY CONNECTED TO THE POSITIVE SUPPLY VOLTAGE. HOWEVER, THE COMMON TERMINALS CAN BE CONNECTED TO ANY VOLTAGE WITHIN THE SPECIFICATIONS OF THE RELAY TERMINALS. SEE DATASHEET.

SPECIFICATIONS

LevNet RF Low Voltage Receivers

LEVNET RF LOW VOLTAGE RECEIVERS	
Range	50-150 feet
Frequency	315MHz
Radio Certifications	FCC Certified for Wireless Communication (U.S.), I.C. Certified (Canada)
2, 3 AND 4-CHANNEL ROOM CONTROLLER (WSoRC-200 WSoRC-300 WSoRC-400)	
Channels	WSoRC-200: 2-in/2-out • WSoRC-300: 1-in/3-out • WSoRC-400: 0-in/4-out
Power Supply Input	8-30VDC, 40mA
Output Rating	0-30VDC, 130mA max
Relay Driver	30VDC max, 100mA max
Repeater	Field configurable
Operating Temperature	-13°F to +140°F (-25°C to +60°C)
Storage Temperature	-40°F to +140°F (-40°C to +60°C)
Vacancy Timeout	15 minutes (when motion detectors are learned)
Dimensions	2.88" W x 1.30" H x 0.67" D (73.15mm x 33.02mm x 17.02mm)
Weight	0.70z (20g)
Antenna	Attached Whip Antenna (5.85")
2-CHANNEL SHADE CONTROLLER (WSoRC-500)	
Number Output Channels	2
Power Supply Input	8-30VDC, 40mA
Output Rating	0-30VDC, 130mA max
Relay Driver	30VDC max, 100mA max
Dimensions	2.88" W x 1.30" H x 0.67" D (73.15mm x 33.02mm x 17.02mm)
Antenna	Attached Whip Antenna (5.85")
4- AND 8-CHANNEL RELAY RECEIVER (WSPAS-LV4 WSPAS-LV8)	
Power Supply Input	8-28VAC or 8-30VDC, 250mA max
Output Rating	2A at 30VAC or 30VDC
Output Channels	WSPAS-LV4: 4, Form C - N.O. and N.C. Dry Contacts • WSPAS-LV8: 8, Form A - N.O. Dry Contacts
Operating Temperature	-13°F to +140°F (-25° to +60°C)
Storage Temperature	-40°F to +140°F (-40° to +60°C)
Dimensions	5.12" W x 3.21" H x 1.10" D (130.05mm x 81.53mm x 27.94mm)
Weight	40z. (113.40g)

ORDERING INFORMATION

CAT. NO.	DESCRIPTION
WSoRC-200	2-Channel Room Controller, 2 Inputs, 2 Outputs, 8-30VDC
WSoRC-300	3-Channel Room Controller, 1 Input, 3 Outputs, 8-30VDC
WSoRC-400	4-Channel Room Controller, 0 Input, 4 Outputs, 8-30VDC
WSoRC-500	2-Channel Shade Controller, 8-30VDC
WSPAS-LV4	4-Channel Relay Receiver, 8-30VAC or 8-30VDC
WSPAS-LV8	8-Channel Relay Receiver, 8-30VAC or 8-30VDC

LEVITON SPECIFICATION SUBMITTAL

JOB NAME:	CATALOG NUMBERS:
JOB NUMBER:	

Leviton Manufacturing Co., Inc. Lighting Management Systems

20497 SW Teton Avenue, Tualatin, OR 97062
 Telephone: 1-800-736-6682 • FAX: 503-404-5594 • Tech Line (6:00AM-4:00PM P.S.T. Monday-Friday): 1-800-959-6004

Leviton Manufacturing of Canada, Ltd.

165 Hymus Boulevard, Pointe Claire, Quebec H9R 1E9 • Telephone: 1-800-469-7890 • FAX: 1-800-563-1853

Leviton S. de R.L. de C.V.

Lago Tana 43, Mexico DF, Mexico CP 11290 • Tel. (+52) 55-5082-1040 • FAX: (+52) 5386-1797 • www.leviton.com.mx

Visit our Website at: www.leviton.com/lms