

LevNet RF Wireless Self-Powered Solutions Line Voltage Receivers



3-Wire Relay Receiver



5-Wire Relay Receiver

Wireless self-powered technology means no new wiring is required. Leviton LevNet RF Wireless Self-Powered Solutions are easy to install and maintenance-free, saving ongoing labor and material costs while saving energy.

EnOcean® technology allows energy harvesting LevNet RF Transmitters to operate indefinitely without the use of batteries. The motion of a switch actuation, light on a solar cell, or temperature differentials in the environment provide power to LevNet RF Transmitters, allowing zero-maintenance wireless devices. The LevNet RF line includes multiple products that operate in the uncrowded 315MHz band offering greater transmission range (50-150 feet) than other wireless technologies and minimal competitive traffic.



enocean® alliance

No Wires. No Batteries. No Limits.

LevNet RF Line Voltage Receivers receive signals from LevNet RF Sensors, Switches, and Transmitters to control lighting, thermostats, and other devices or loads. Wireless, self-powered technologies eliminate control switch wiring making them the ideal solution for retrofits and new construction. Installation is quick and easy with no additional wiring required. It takes only minutes to install and configure.

APPLICATIONS

- Retrofits
- New construction
- Conference rooms
- Classrooms
- Lounges/Lobbies
- Private offices
- Executive offices
- Restrooms
- Daycare facilities
- Multimedia areas

LevNet RF Line Voltage Receivers

Leviton Mfg. Co., Inc. Lighting Management Systems

20497 SW Teton Avenue, Tualatin, OR 97062 1-800-736-6682 Tech Line: 1-800-959-6004 Fax: 503-404-5594 www.leviton.com/lms
© 2009 Leviton Manufacturing Co., Inc. All rights reserved. Subject to change without notice.

PRODUCT DATA

3-WIRE RELAY RECEIVERS (WSP05-010 | WSP05-020 | WSP05-080)

The 3-Wire Relay Receiver is the most basic of the LevNet RF Receivers. It is used to control one light or one group of lights by wiring the Receiver between the device and the power source. A LevNet RF Remote Switch or Sensor is used to control the Receiver. One Receiver can learn up to 30 Wireless Transmitters.



LevNet RF single channel relay Receivers allow lights to be controlled by LevNet RF Switches, Remotes, and Sensors. The line-voltage relays help simplify advanced wireless lighting control. For larger load ratings or motor load control, see the 5-Wire Relay Receiver.

FEATURES

- **Easy-to-use:** programs in seconds; run zero switch-leg or traveler wires
- **Reliable range:** each unit stores up to 30 Transmitter IDs; error checking ensures Receiver only responds to appropriate Transmitters on all packet transfers
- **Save energy:** connect the Receiver to a LevNet RF Sensor or program all lights to respond to a single master Switch
- **Simple wireless controls:** architectural lighting, load shedding, and manual-ON/OFF and auto-OFF controls
- **Control the way you want it:** control the 3-Wire Relay Receiver with a variety of devices - Wireless Self-Powered Switches, Sensors, and more

5-WIRE RELAY RECEIVERS (WSP12-010 | WSP12-020 | WSP12-080 | WSP02-R10)

The 5-Wire Relay Receiver is used to control larger lighting loads or groups and motor loads such as fans, pumps, and gates. The Receiver includes isolated contacts that can switch power from a different circuit. Simply install the Receiver at the switch location and install as many as 30 Wireless Transmitters anywhere within range. The 5-Wire Relay Receiver is also capable of switching motor loads.

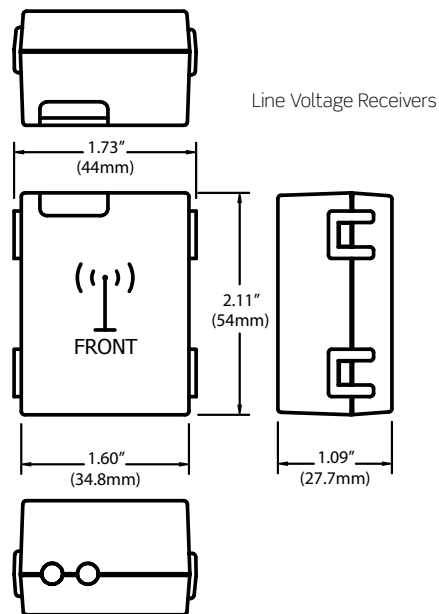


LevNet RF single channel relay Receivers allow lights and fans to be controlled by LevNet RF Switches and Sensors. The line-voltage relays help simplify advanced wireless lighting control.

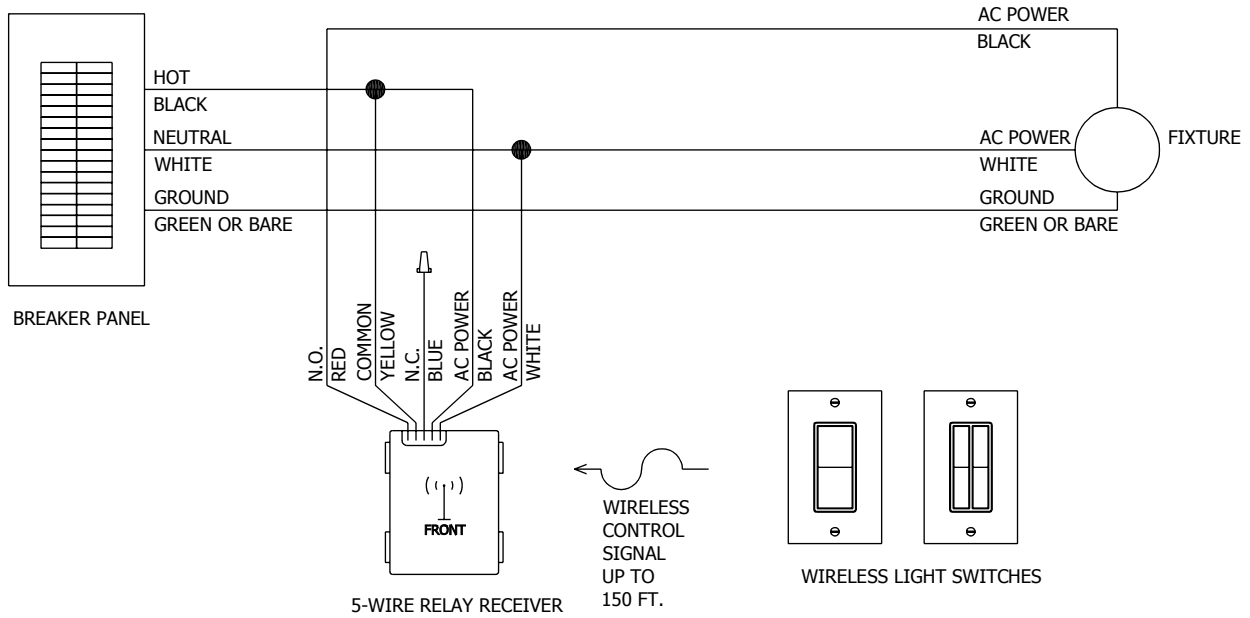
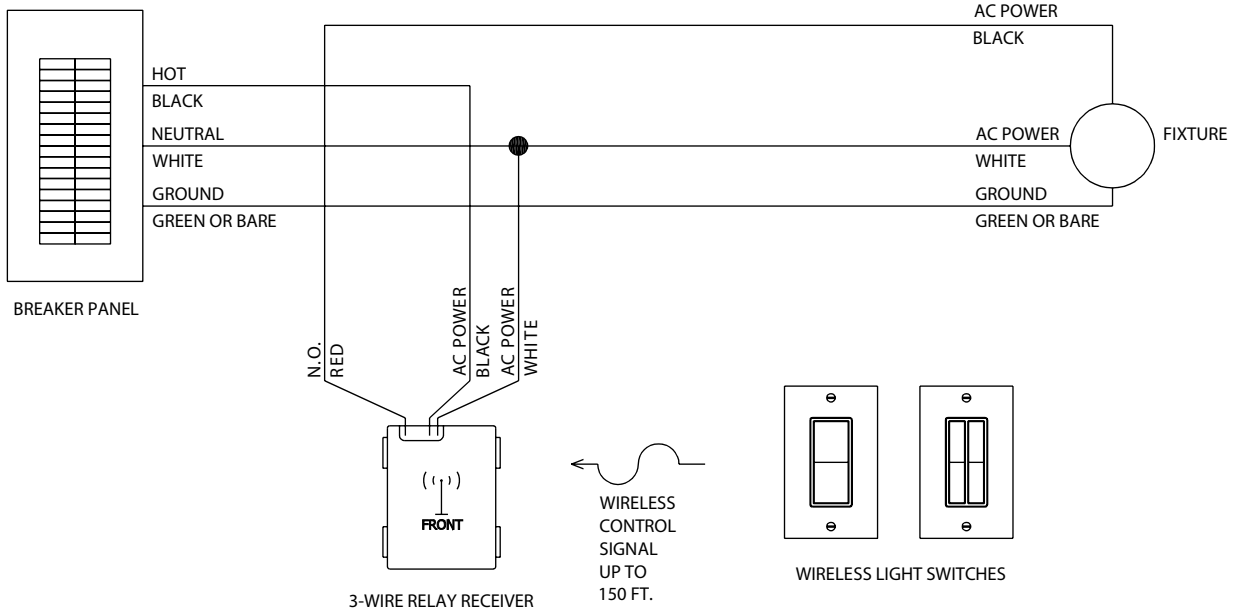
FEATURES

- **Easy-to-use:** programs in seconds; run zero switch-leg or traveler wires
- **Reliable range:** each unit stores up to 30 Transmitters IDs; error checking ensures Receiver only responds to appropriate Transmitters on all packet transfers
- **Save energy:** connect the Receiver to a LevNet RF Sensor or program all lights to respond to a single master Switch
- **Simple wireless controls:** single-pole, 3-way, and 4-way Switches; compatible with hardwired 3-way and 4-way Switches; architectural lighting control; motor control; and manual-ON/OFF and auto-OFF controls
- **Control the way you want:** control the 5-Wire Relay Receiver with a variety of devices - Wireless Self-Powered Switches, Sensors, and more

DIMENSIONS



NETWORK DIAGRAMS



LevNet RF Line Voltage Receivers

Leviton Mfg. Co., Inc. Lighting Management Systems

SPECIFICATIONS

LEVNET RF LINE VOLTAGE RECEIVERS		
Range	50-150 feet	
Frequency	315MHz	
Memory	Stores up to 30 Transmitter IDs	
Operating Temperature	14°F to +122°F (-10°C to +50°C)	
Storage Temperature	-4°F to +176°F (-20°C to +80°C)	
Endurance	10,000,000 Minimum Mechanical Cycles	
Dimensions	2.11" H x 1.73" W x 1.09" D (54mm x 44mm x 28mm)	
Weight	5oz. (141.75g)	
Listings	ETL (U.S.): UL244A ETL (Canada): CSAc22.2#156	
Radio Certification	FCC Certified for Wireless Communication (U.S.), I.C. Certified (Canada)	
3-WIRE RELAY RECEIVERS (WSP05-010 WSP05-020 WSP05-080)		
Power Supply Input	• WSP05-010: 110-125VAC, 50/60Hz • WSP05-020: 277VAC, 50/60Hz • WSP05-080: 240VAC, 50/60Hz	
Max Loads/ Contact Ratings	Tungsten/Incandescent	WSP05-010: 500W • WSP05-020: 1150W • WSP05-080: 1000W
	Fluorescent Ballast	3A
	General Duty	16A
	A300 Pilot Duty	WSP05-010: 120VAC • WSP05-020: 277VAC • WSP05-080: 240VAC
Output Channels	1 FORM A Relay	
5-WIRE RELAY RECEIVERS (WSP12-010 WSP12-020 WSP12-080 WSP02-R10)		
Power Supply Input	• WSP12-010: 120VAC, 60Hz • WSP12-020: 277VAC, 60Hz • WSP12-080: 240VAC, 60Hz • WSP12-R10: 24VAC, 60Hz	
Max Loads/ Contact Ratings	Tungsten/Incandescent, N.O. Contacts/ N.C. Contacts	• 1500W @ 120VAC / 500W @ 120VAC • 3000W @ 240VAC / 1500W @ 240VAC • 3400W @ 277VAC / 1700W @ 277VAC
	Fluorescent Ballast	8A (N.O. Contacts)
	General Duty	16A (N.O. Contacts), 5A (N.C. Contacts)
	A300 Pilot Duty	72VA @ 24VAC, 360VA @ 120VAC, 720VA @ 240VAC, 830VA @ 277VAC
	Motor Load	60 LRA, 10 FLA, 1/2HP @ 120VAC, 1HP @ 240VAC
	Other Devices	16A
Output Channels	1 FORM C Relay COM, N.O., N.C.	

ORDERING INFORMATION

CAT. NO.	DESCRIPTION
WSP05-010	3-Wire Relay Receiver, 120VAC, 500W
WSP05-020	3-Wire Relay Receiver, 277VAC, 1200W
WSP05-080	3-Wire Relay Receiver, 240VAC, 1000W
WSP12-010	5-Wire Relay Receiver, 120VAC, 1500W
WSP12-020	5-Wire Relay Receiver, 277VAC, 3200W
WSP12-080	5-Wire Relay Receiver, 240VAC, 3000W
WSP02-R10	5-Wire Relay Receiver, 24VAC, 300W

LEVITON SPECIFICATION SUBMITTAL

JOB NAME:	CATALOG NUMBERS:
JOB NUMBER:	

Leviton Manufacturing Co., Inc. Lighting Management Systems

20497 SW Teton Avenue, Tualatin, OR 97062
 Telephone: 1-800-736-6682 • FAX: 503-404-5594 • Tech Line (6:00AM-4:00PM P.S.T. Monday-Friday): 1-800-959-6004

Leviton Manufacturing of Canada, Ltd.

165 Hymus Boulevard, Pointe Claire, Quebec H9R 1E9 • Telephone: 1-800-469-7890 • FAX: 1-800-563-1853

Leviton S. de R.L. de C.V.

Lago Tana 43, Mexico DF, Mexico CP 11290 • Tel. (+52) 55-5082-1040 • FAX: (+52) 5386-1797 • www.leviton.com.mx

Visit our Website at: www.leviton.com/lms