

The Ex-Or MLS Digital Managed Lighting System

Digital Mid Range LightSpot

The Digital Mid Range LightSpot is part of a range of presence detection systems designed to control modular luminaires with DSI or DALI high frequency ballasts and other lighting loads.

Digital Mid Range LightSpot offers high performance directional presence detection for lighting control. It is ideal for larger classrooms, conference rooms, storage aisles etc. It uses microwave presence detection technology which enables the range to be adjusted to suit any application and has relay and digital dimming outputs. It is available for semi-flush or surface mounting.



Active presence detection by microwave technology.



Regulating photocell actively monitors ambient light levels and adjusts the light output accordingly (dimnable control gear only).



Incorporates simple scene-setting - up to six scenes can be set via user remote.



Off delay in minutes following the last observed movement after which the lights switch off.



Detection pattern and range in metres under normal operating conditions.



Dual circuit control. Digital output always influenced by photocell, relay output can be influenced by photocell if configured.



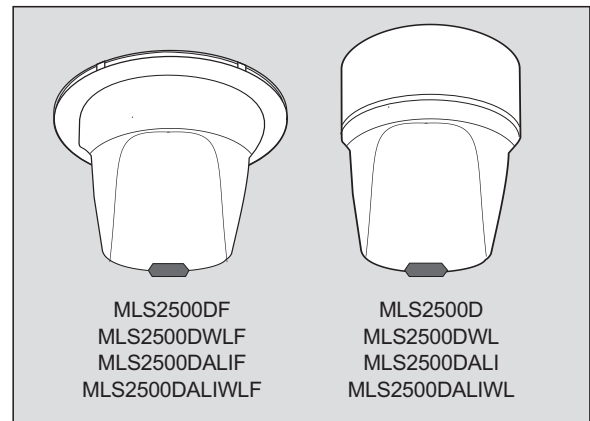
Hand-held Controllers provide local user override.



Remote programming with the HP2000 (operates at 5m range) ensures changes can be easily accommodated.



OneSwitch Dimming (WL suffix part numbers only). Manual input to adjust light level or turn luminaires on or off via MK wireless switches which should be ordered separately.



Scene-setting

Users can set up to six lighting scenes by infrared remote control and recall them with the single press of a button.

Entry and Exit Scenes

The entry scene is automatically selected when the area becomes occupied. Similarly, there is an option to select an Exit Scene for when an area is vacated.

Ballast Compatibility

Digital Mid Range LightSpot is available for fixed-output high-frequency ballasts and dimmable DSI and DALI ballasts.

Dual Output

Manual control of digital and relay outputs with OneSwitch dimming or hand-held controller.

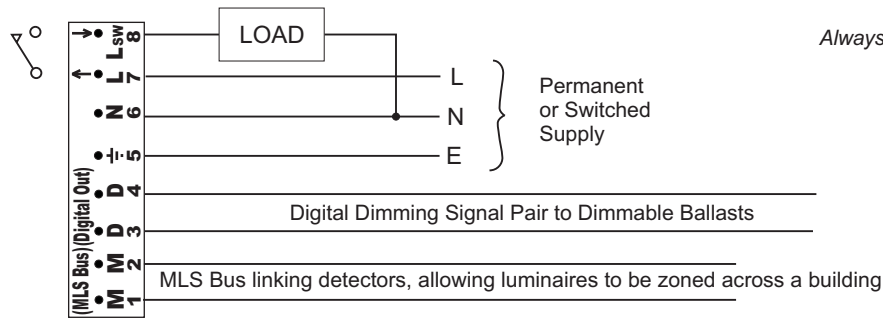
Commissioning and Programmable Parameters

Operation is determined by how the unit is commissioned. Commissioning and re-commissioning are carried out using a menu-driven, infrared remote programmer (HP2000) with virtually no disturbance to the building's occupants. As the programmer has a range of 5 metres, ladders or platforms are seldom required.

The association of wireless switches with the OneSwitch function should be carried out at installation time; this requires access to the unit.

Please check www.ex-or.com to ensure this is the most recent issue - Ref: D4078B

Wiring Diagram



Always check the product label before connecting.

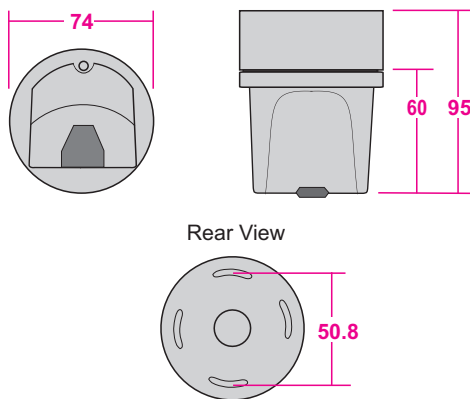
Relay outputs may be connected in parallel to cover larger areas with multiple detectors but the total load switched by the parallel combination should not exceed 10 Amps.

Digital Dimming Signal Outputs MUST NOT be connected, in parallel or in series, to those of another detector.

The diagram above shows a fully utilised unit, controlling both dimmable and non-dimmable luminaires. In the simplest installation, controlling only non-dimmable loads, just the mains supply and the switched live output would be required.

Note: Do not mount within 25cm of a luminaire.

Dimensions



Installation

Surface version

(MLS2500D/MLS2500DWL/MLS2500DALI/MLS2500DALIWL)

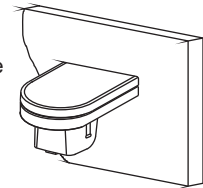
The back-box can be secured directly to a hard surface or to a conduit stop end box.

Semi-flush version

(MLS2500DF/MLS2500DWLF/MLS2500DALIF/MLS2500DALIWL)

Use a hole saw to drill a 76mm hole into the ceiling tile. The flush ring is designed to clamp the tile between its two halves.

Note: For wall mounting, use the WMK wall-mounting kit.



Ancillary Items



HP2000 MLS Programmer

Menu-driven LCD Programmer with automatic equipment recognition and parameter download facilities.



HC6 Two-button Hand-held Controller

Note: The HC5 Universal Hand-held Controller is also suitable for use with these detectors.

Technical Data

MAXIMUM RECOMMENDED MOUNTING HEIGHT: 3.5m

RANGE: Adjustable up to 20m

OFF DELAY: 5-60 minutes - adjustable

PHOTOCELL: Adjustable 50-5000 lux

OPERATING VOLTAGE: 230V ~ 50Hz (UK & Europe)

PRODUCT RATING & RECOMMENDED CIRCUIT PROTECTION: 10 Amps

MAXIMUM RECOMMENDED LOAD: L_{sw} : 10 Amps

MAXIMUM RECOMMENDED LOAD (DSI/DALI): 25 Ballasts

COLOUR: White

MATERIAL: Flame retardant PC/ABS

WEIGHT: 160g

IP RATING: Guidance only: 43 - ceiling mounted

4X - wall mounted

Part Numbers

MLS2500D

Digital Mid Range LightSpot with photocell:

for DSI ballasts - surface mounted

MLS2500DWL

for DSI ballasts with wireless OneSwitch capability - surface mounted

MLS2500DF

for DSI ballasts - semi-flush mounted

MLS2500DWLF

for DSI ballasts, with wireless OneSwitch capability - semi-flush mounted

MLS2500DALI

for DALI ballasts - surface mounted

MLS2500DALIWL

for DALI ballasts with wireless OneSwitch capability - surface mounted

MLS2500DALIF

for DALI ballasts - semi-flush mounted

MLS2500DALIWL

for DALI ballasts with wireless OneSwitch capability - semi-flush mounted

NOTE: Wireless switches are not included - contact Ex-Or for details.

Ancillary Items

HP2000

MLS Digital Programmer

HC6

Two-button Hand-held Controller c/w wall bracket

HC5

Universal Hand-held Controller c/w wall bracket

WMK

Wall-mounting Kit

MRFK

Semi-flush Mounting Kit

Ex-Or operates a genuine policy of continuous improvement. You may expect the specification to be regularly enhanced. For latest technical information, please visit www.ex-or.com