

The ILLUMRA™ Key Card Switch needs no wires or batteries. Inserting a key card provides the energy to transmit a wireless signal that controls lights or other devices connected to ILLUMRA receivers.

Easy-To-Use

- Installs in minutes
- Requires no wiring
- Easy-to-configure
- Communicates with ILLUMRA receivers

Reliable Range

- 50-150 foot range (typical)
- Unique ID of each switch activates only the intended receiver(s)

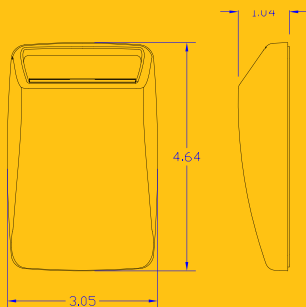
Save Energy and Money

When entering a room, a guest inserts a key card to make power available to selected devices. When leaving, the guest removes the card to set devices in the room to an energy-saving “unoccupied” mode.

With seven code combinations available, key cards can be customized to offer additional functionality, giving the ILLUMRA Key Card Reader the ability to activate different sets of appliances based on the preferences of the building manager.

Save Time and Hassle

Avoid costly and time-consuming installation of hard wired switches in your remodel or retrofit by choosing wireless ILLUMRA switches and receivers. Installing a switch doesn't have to mean tearing open a wall anymore.



777 S. State St.
Orem, UT 84058

T: (801) 349-1200
F: (801) 653-4257
Sales@ILLUMRA.com
Info@ILLUMRA.com
www.ILLUMRA.com



Energy-Saving Hotel Room Controls

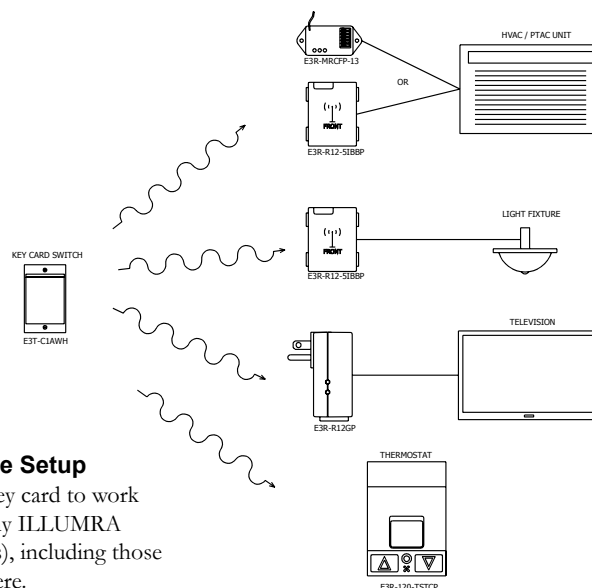
- Occupancy-based control of lights and devices
- Integrated HVAC and lighting control
- Optional master ON/OFF controls

Simple Wireless Control Systems

- Control unlimited receivers within range
- Control all or only selected devices in a room
- Use with most room key cards
- No batteries, charging, or external power required

E3T-C2AWH	
Range	50-150 feet (typical)
Frequency	315 MHz
Power Supply	Self-generated when key card is inserted/removed
Card Slot Channels	1 (card IN, card OUT) 7 customizable versions supported
Dimensions	4.64" x 3.05" x 1.04" 118mm x 77.4 mm x 26.6 mm
Recommended Card Size (Cards not included)	2.125" (W) x 3" (L) 54 mm (W) x 76mm (L) (standard credit card size)
Radio Certification	FCC (United States) SZV-PTM200C I.C. (Canada) 5713A - PTM200C

Network Diagram



Example Setup

Set the key card to work with many ILLUMRA receiver(s), including those shown here.

This device or certain aspects thereof is protected by at least one U.S. or international patent or has at least one such patent application pending.