

Wireless and batteryless Minilux movement sensor type 41-580 for indoor lighting control

- Zero-energy sensor supplied by a solar cell
- Detection range 7 meters/ 360°
- For ceiling mounting
- Setting of lux and time by the wireless receiver or a Com-lux system

Detection range

Plan view, diameter indicated at floor height (mounted at height 2,5 m)

Diameter indicated at table height.

Planning
To ensure optimal detection at the entrance to the room, reduce the distance between door and sensor, when positioning the sensors. Effective detection of a person is achieved at minimum 0.8 m height above floor level.

Technical data

Input
Power supply Solar cell, zero-energy.
Lux-level for function more than 80lx measured by luxmeter.
Guidance: 25W bulb, distance approx. 50 cm

Power consumption <10µW
Protection IP20
Temperature range +5°C ... +50 °C indoor use

Performance
Installation height 2,5 - 4m
Detection range 360°, ø7 - ø12m

Type of signal/range
RF signal EnOcean 868MHz, <10mW
RF signal range 100 m in free range/ 30 m in buildings, see RF wireless information
EnOcean transmitter Profil 2008 STM110 v.1.04

Approvals
CE iht.
R&TTE 1999/5/EC
ETSI EN 301 489-1: 2005-09
ETSI EN 301 489-3: 2002-08 (SRD class2)
ETSI EN 300 220-3: 2000-09

Penetration rates

Materials	Penetration
Wood, plaster and glass without surface foil	90-100 %
Brick, MDF and chipboard panels	65-95 %
Concrete reinforcement	10-80 %
Metal, aluminium panels, etc.	0-10 %

The PIR sensor is a product in the Servodan wireless concept. Lighting is turned on manually by the wireless switch (76-922) and the PIR sensor ensures that lighting remains switched on as long as moving people are detected.

Via the wireless receiver - or via Com-lux - the required cut-off delay is set, which ensures that the light remains on for a period after the last person has left.

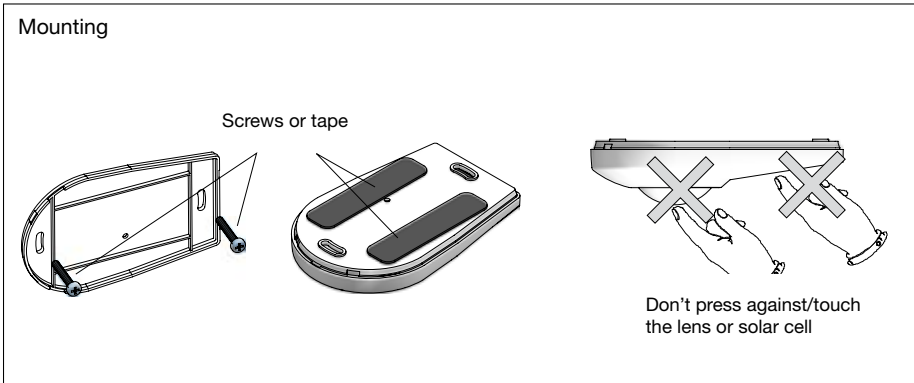
Recommended installation height is 2-4 m. At 2.5 m the sensor has a range of 7 m in 360° (38 m²) .

A wireless and batteryless switch (76-922) must be integrated in order to switch on the light manually.

The solar-powered PIR sensor requires at least 80lux in order to initiate and operate as required.



enocean®



Order number

Product	Type	EAN no.
Minilux PIR	41-580	5703102 203991
Solar/EnOcean		
Wireless receiver	70-100	5703102 204851
Wireless/batteryless push-button	76-922	5703102 201737