



**AD HOC**  
ELECTRONICS™

# The Battery-free Wireless Light Switch

EASY-TO-INSTALL, RELIABLE WIRELESS LIGHTING CONTROL

No wires. No batteries. No hassle.

The Battery-free Wireless Light Switch has been engineered for residential lighting control and energy management applications. The remote light switch enables fast installations & reliable control.

## FAST INSTALLATION

- Less copper wire
- Can be mounted anywhere
- No switch boxes

## RELIABLE RANGE

- 100 ft. avg.
- 868 MHz operating frequency
- Rated to last 20+ years (Lab-tested to support 10,000+ actuations)



Single Rocker



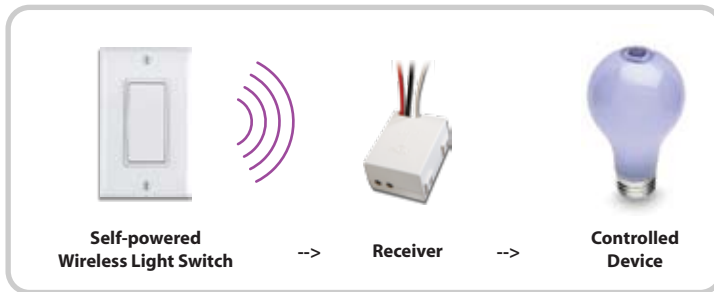
Handheld Remote



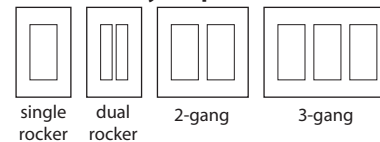
Dual Rocker

## BATTERY-FREE WIRELESS LIGHTING CONTROL

### Basic Controls



### Decorator Style Options



single rocker dual rocker 2-gang 3-gang

Decorator (standard) available in black, brown, light almond, ivory, and white. Decorator (dual rocker) & Euro available in white and black only. Handheld Remotes available in silver, white and black

### Colors

- White (WH)
- Black (BK)
- Silver (SL)
- Brown (BR)
- Light Almond (LA)
- Ivory (IV)

## EXAMPLES OF COMPATIBLE RECEIVERS



Single-channel Relay



RS-232



Plug-in Dimmer/Relay

## SAMPLE APPLICATIONS

### Simple Remodels & Retro-fits

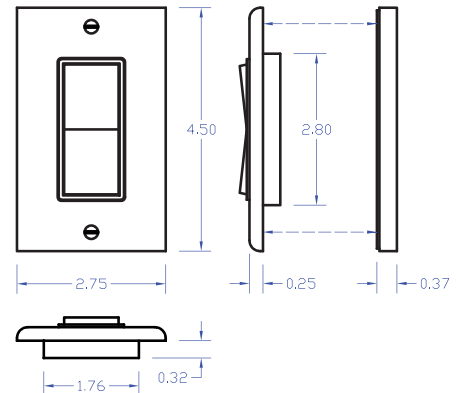
Avoid tearing into walls and running new wire. Battery-free remote light switches mount on any flat surface or fit in existing switch boxes.

### Quick & Easy 3-way Switches

3-way light switches can be installed in minutes! No 14-3 wire is required.

## SPECIFICATIONS

Indoor Range	100 ft. avg.
Operating Frequency	868 MHz
Power supply	Self-powered
Transmission Power Output	10mW max
Dimensions: Decorator Switch (1-gang)	2.75"(7cm) x 4.5"(11.4cm) x .62"(1.6cm)
Dimensions: Handheld Remote	1.85"(4.7cm) x 3.15"(8cm) x 0.7"(1.8cm)



**CUSTOM SOLUTIONS**

**Need help creating the right control system?**  
Call us. We can help.

This device or certain aspects thereof is protected by at least one U.S. or international patent or has at least one such patent application pending.